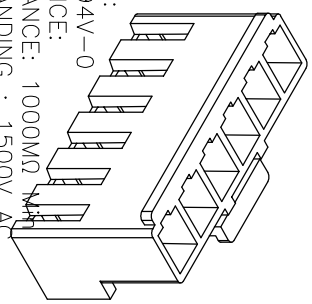
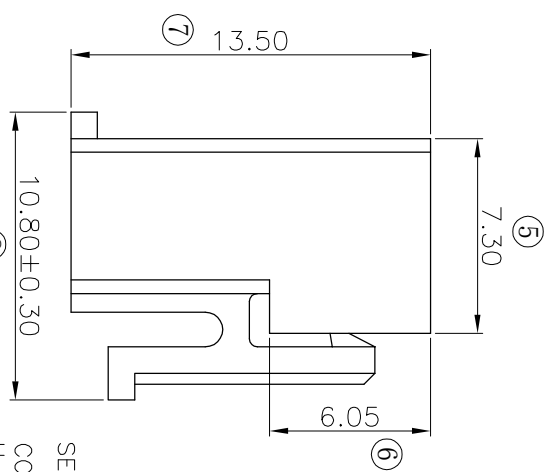
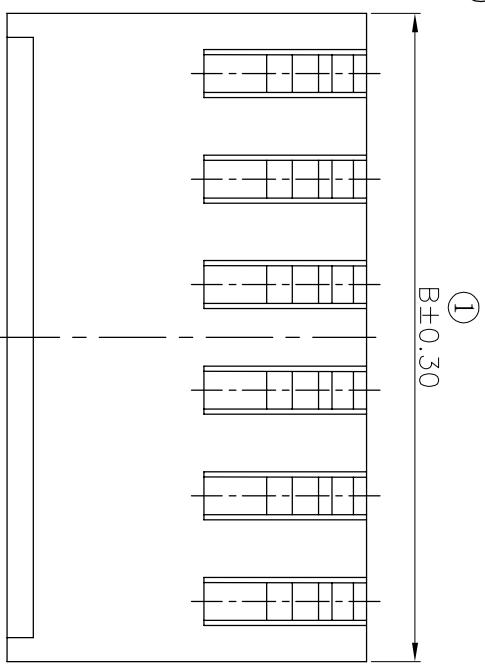
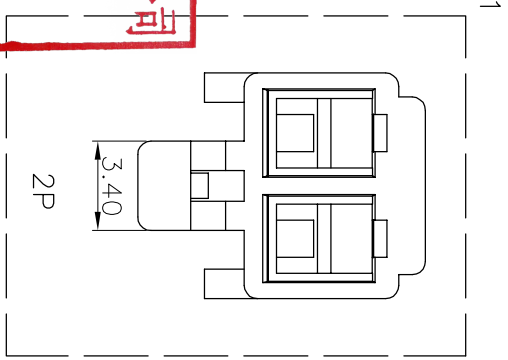
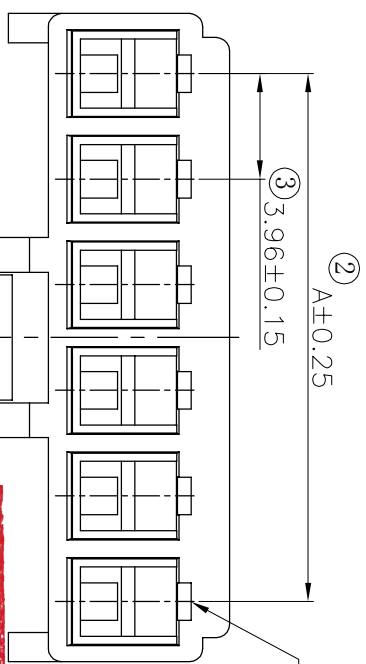


The product using material and processing must conform to the "WI-PZ-001"HSF technical standard control requirements



- NOTE:
- MATERIAL SPECIFICATION:
    - HOUSING: PA66,UL94V-0
  - ELECTRICAL PERFORMANCE:
    - INSULATION RESISTANCE: 1000MΩ
    - DIELECTRIC WITHSTANDING : 1500V AC
  - ENVIRONMENTAL PERFORMANCE:
    - OPERATING TEMPERATURE: -25°C~+85°C.(低温料)
    - OPERATING TEMPERATURE: -40°C~+105°C.(高温料)
  - PACKAGE SPEC: PE BAG
  - P/N:



A3962 H 5 M-1 XX X X  
 SERIES NO.:  
 CONNECTOR: H-HOUSING  
 TYPE CODE:  
 MALE FEMALE: M-MALE  
 ROW NO.: 1-SINGLE ROW  
 WATER CODE: 0-N/A  
 COLOR: S-NATURE(低温料ROHS+HF) M-BEIGE(高温料ROHS)  
 PIN Q'PY: 02~16

Circuits	Dimensions(mm)		Circuits	Dimensions(mm)	
	A	B		A	B
02	3.96	8.46	10	35.64	40.14
03	7.92	12.42	11	39.60	44.10
04	11.88	16.38	12	43.56	48.06
05	15.84	20.34	13	47.52	52.02
06	19.80	24.30	14	51.48	55.98
07	23.76	28.26	15	55.44	59.94
08	27.72	32.22	16	59.40	63.90
09	31.68	36.18			

广东万连科技有限公司  
 样品图纸专用章  
 产品中心

REV. A0	REVISION RECORD	DATE	22.03.19	GENERAL TOLERANCES	LINEAR	ANGLES	SCALE: 1:1	NAME	Wong_jr	DATE	22.03.19	PART. NO.:	A3962H5M-1XXXX	DWG. NO.:	ENDE05	REV. A0	SHEET: 1/2
	NEW RELEASE				0.0±0.35	X°REF±6°	APPROVED	XueZe_Mo		22.03.19							
					UNIT:mm	X°±3°	CHECK	LonXuan_Hou		22.03.19		TITLE:	Pitch 3.96mm 180°VH 单排 Housing				
					SIZE: A4	0.000±0.10	DRAWN										



WanLian Technology Co., Ltd